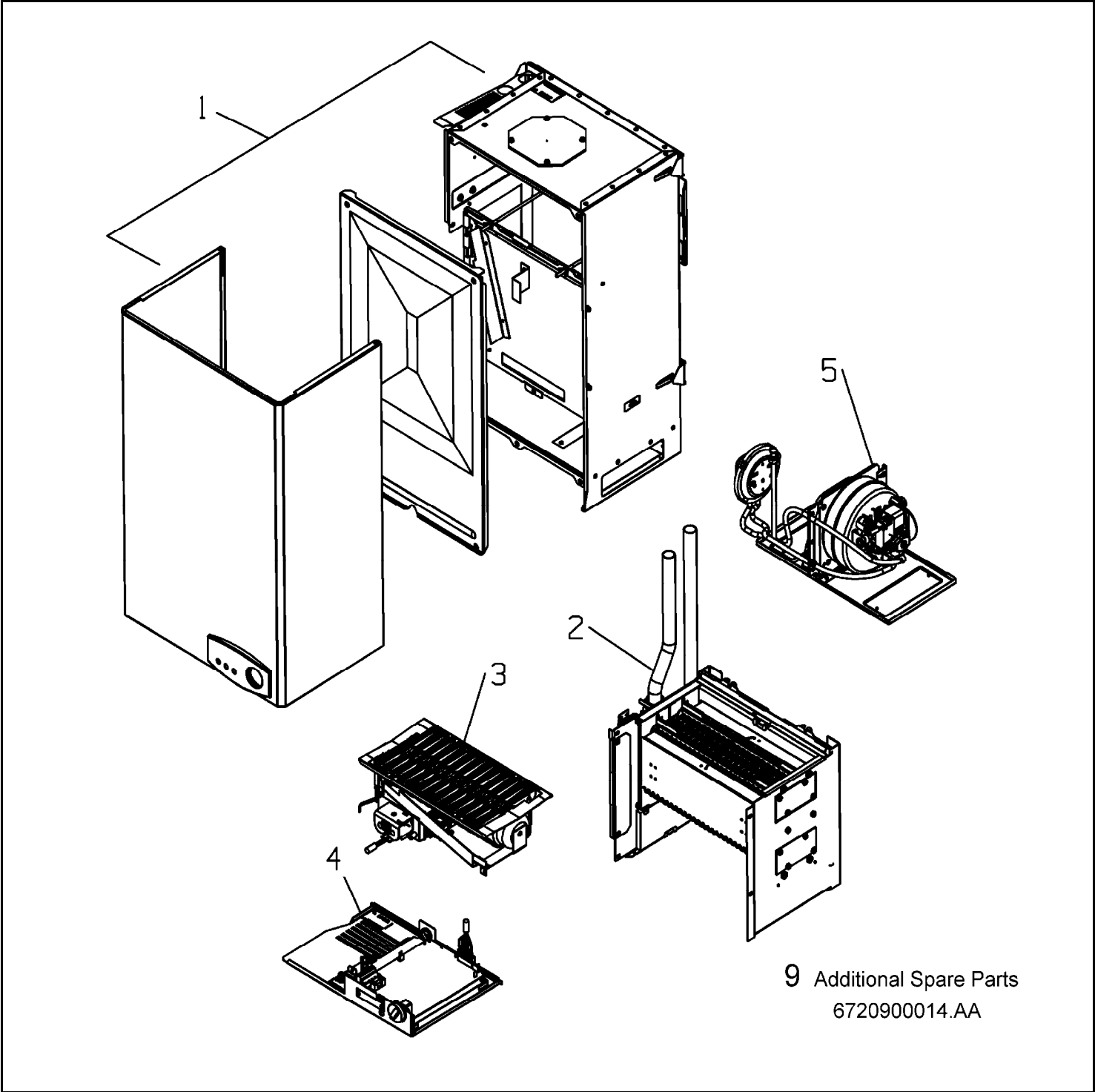


# 19/24 CBI

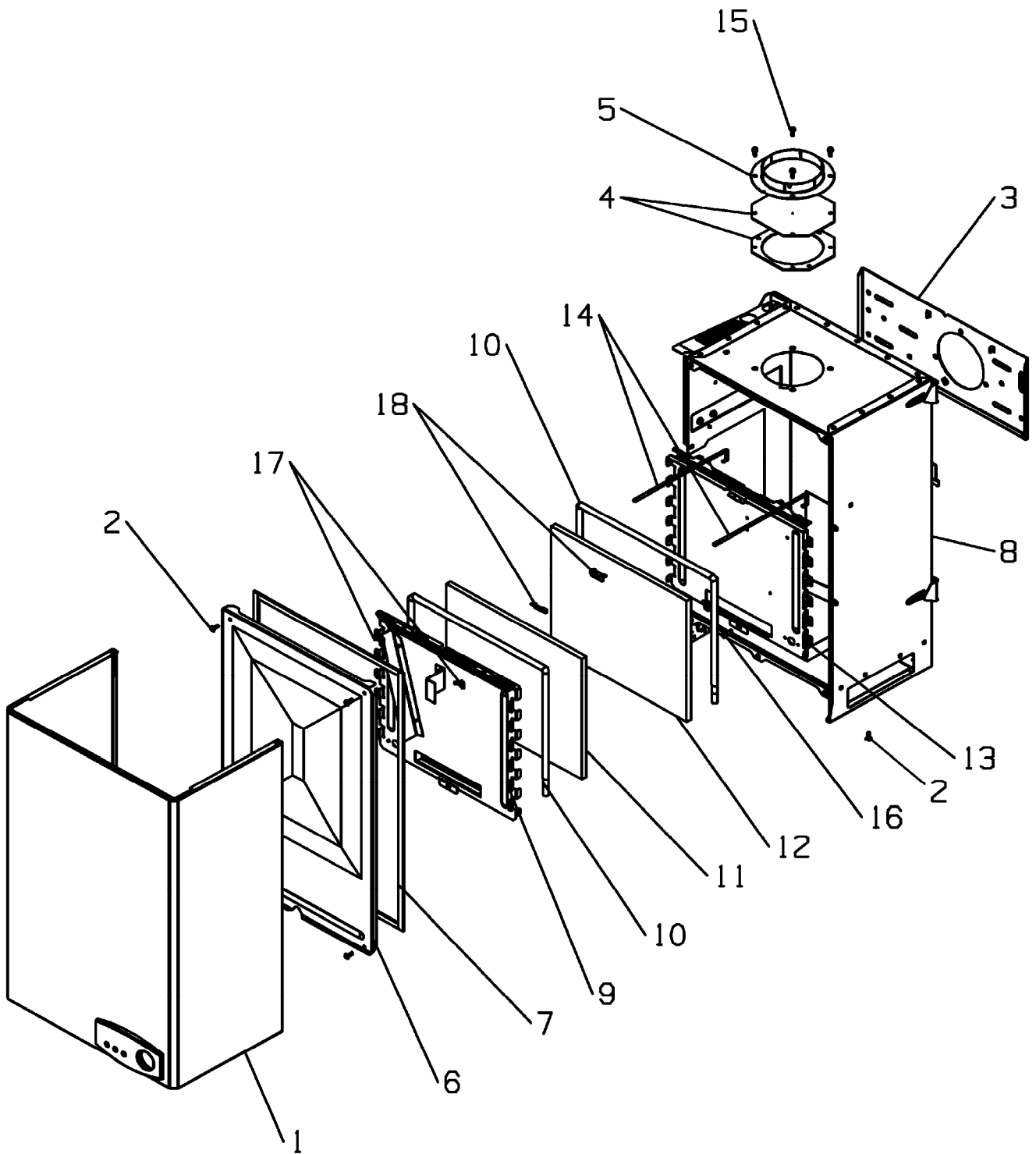


9 Additional Spare Parts  
6720900014.AA





Spare parts list



6720900015.AA

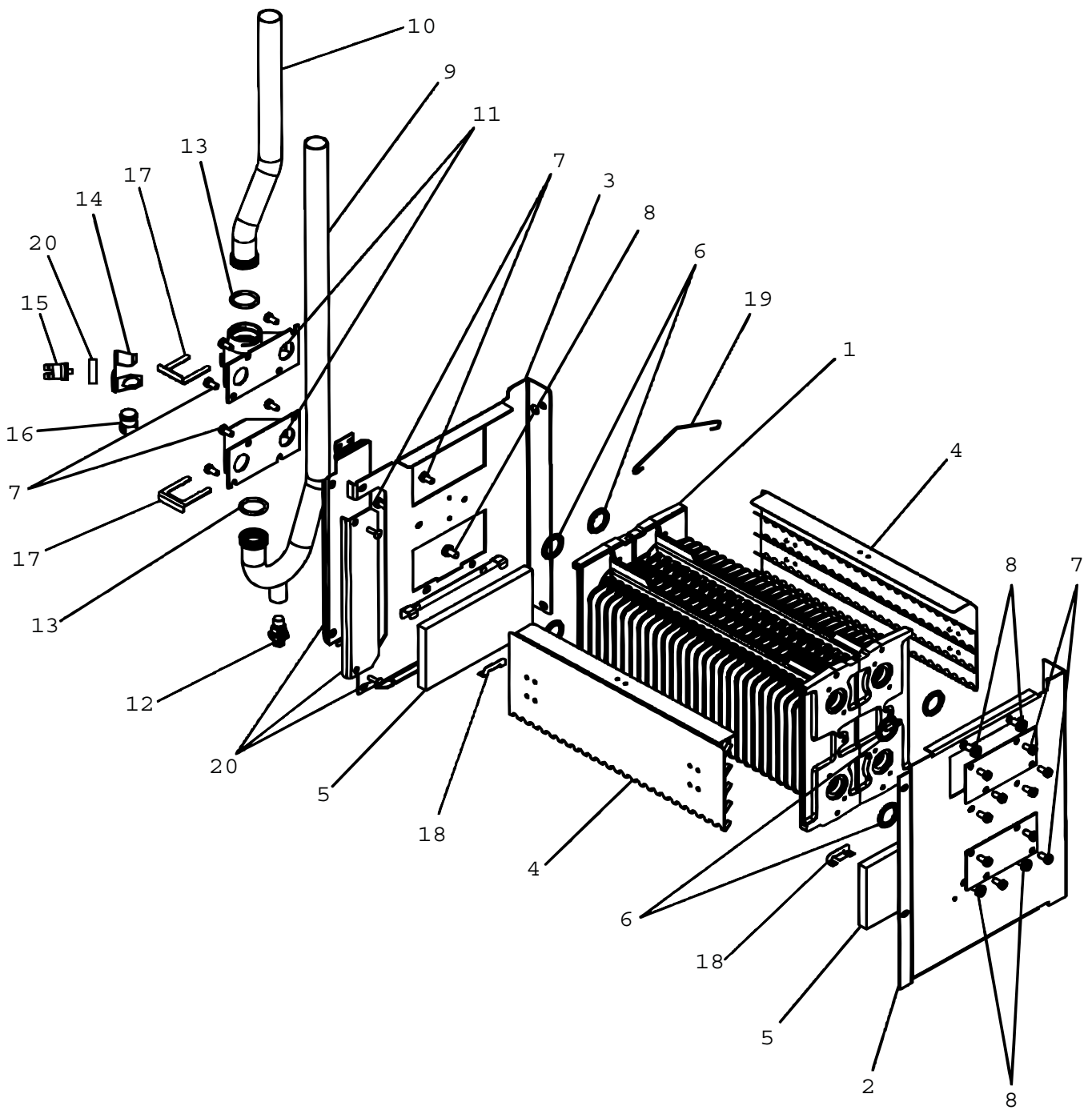
Superstructure / Case  
D

19/24 CBI-FON 19/24 CBI-FOP

1



Spare parts list



6720900016.AA

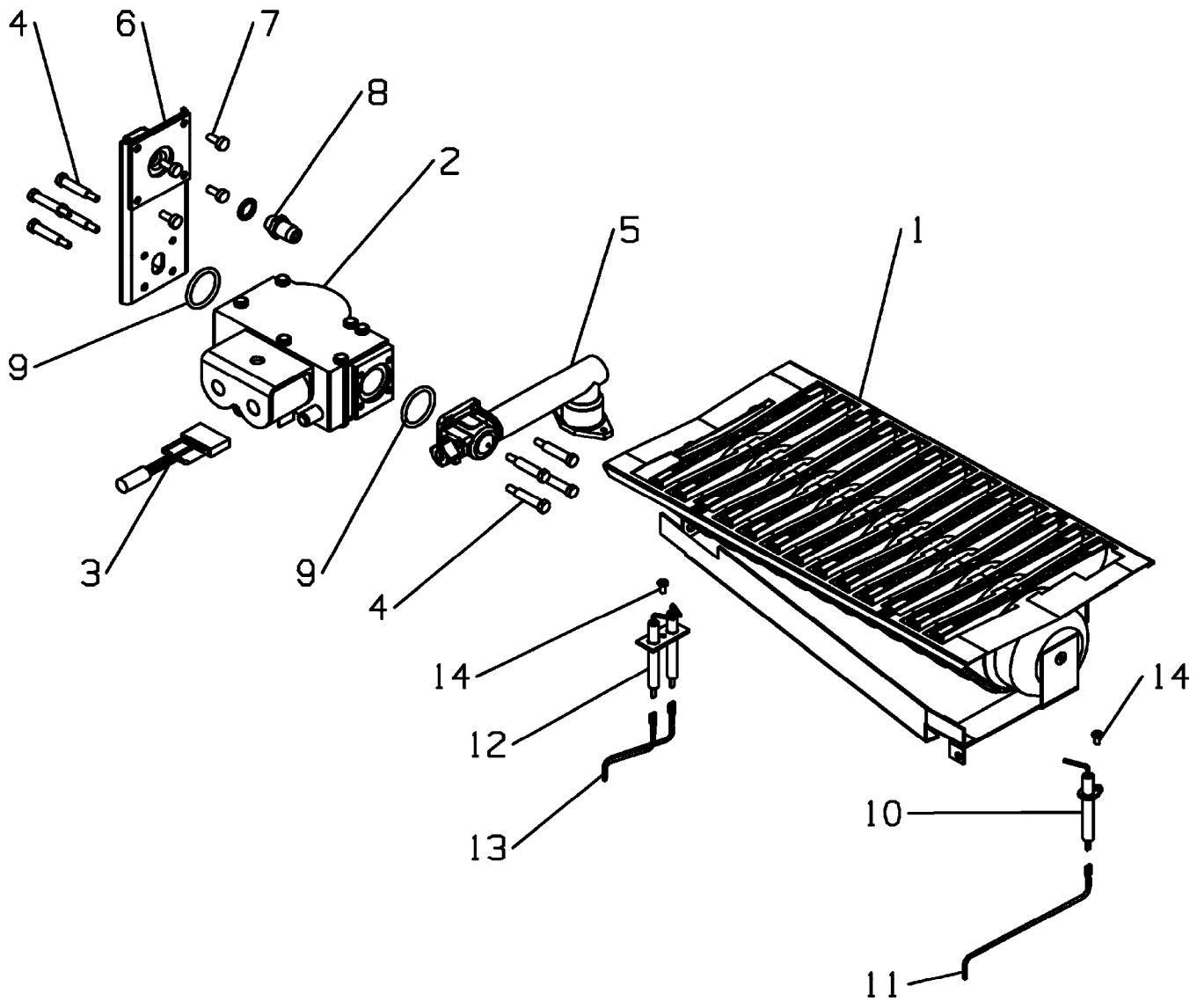
Heat exchanger / Pipes  
D

19/24 CBI-FON 19/24 CBI-FOP

2

Pos	description	S-Nr	ordering no.	PG	gas type	19/24 CBI-FON	19/24 CBI-FOP													remarks
1	Heat exchanger assembly		8 716 121 700 0		LPG	■														
1	Heat exchanger assembly		8 716 121 700 0		NG	■														
2	Side plate r.h. assembly 24cbi		8 716 101 815 0		LPG	■														
2	Side plate r.h. assembly 24cbi		8 716 101 815 0		NG	■														
3	Side plate l.h. assembly		8 716 101 805 0		LPG	■														
3	Side plate l.h. assembly		8 716 101 805 0		NG	■														
4	Baffle assy long 24kw		8 716 143 076 0		LPG	■														
4	Baffle assy long 24kw		8 716 143 076 0		NG	■														
5	Insulation sides		8 716 156 852 0		LPG	■														
5	Insulation sides		8 716 156 852 0		NG	■														
6	O-Ring kit ht/exchanger		8 716 101 797 0		LPG	■														
6	O-Ring kit ht/exchanger		8 716 101 797 0		NG	■														
7	Screw m5 x 8 lg hex slot hd		2 911 121 150 0		LPG	■														
7	Screw m5 x 8 lg hex slot hd		2 911 121 150 0		NG	■														
8	Screw m6x10mm bzp slt p/h m/s		2 910 001 191 0		LPG	■														
8	Screw m6x10mm bzp slt p/h m/s		2 910 001 191 0		NG	■														
9	Pipe - c/h assembly		8 716 154 015 0		LPG	■														
9	Pipe - c/h assembly		8 716 154 015 0		NG	■														
10	Pipe - c/h assembly		8 716 154 013 0		LPG	■														
10	Pipe - c/h assembly		8 716 154 013 0		NG	■														
11	Heatexchanger manifolds		8 716 148 073 0		LPG	■														
11	Heatexchanger manifolds		8 716 148 073 0		NG	■														
12	Drain Screw assembly		8 716 120 037 0	21	LPG	■														
12	Drain Screw assembly		8 716 120 037 0	21	NG	■														
13	O-Ring 3.0 sec x 21.5 i/d e.p.		8 716 140 826 0		LPG	■														
13	O-Ring 3.0 sec x 21.5 i/d e.p.		8 716 140 826 0		NG	■														
14	Clip - spring retaining		8 716 148 365 0		LPG	■														
14	Clip - spring retaining		8 716 148 365 0		NG	■														
15	Overheat thermostat		8 716 142 399 0		LPG	■														
15	Overheat thermostat		8 716 142 399 0		NG	■														
16	Ntc/thermister dhw		8 716 142 302 0	17	LPG	■														
16	Ntc/thermister dhw		8 716 142 302 0	17	NG	■														
17	Clip - retaining		8 716 148 322 0		LPG	■														
17	Clip - retaining		8 716 148 322 0		NG	■														
18	Retainer - insulation		8 716 148 362 0		LPG	■														
18	Retainer - insulation		8 716 148 362 0		NG	■														
19	Clip - baffle retaining		8 716 101 938 0		LPG	■														
19	Clip - baffle retaining		8 716 101 938 0		NG	■														
20	Access plate c/w back plate & Screws		8 716 101 830 0		LPG	■														
20	Access plate c/w back plate & Screws		8 716 101 830 0		NG	■														
<b>19/24 CBI-FON 19/24 CBI-FOP</b>			Heat exchanger / Pipes D																	<b>2</b>

Spare parts list



6720900017.AA

Gas valve / Burner  
D

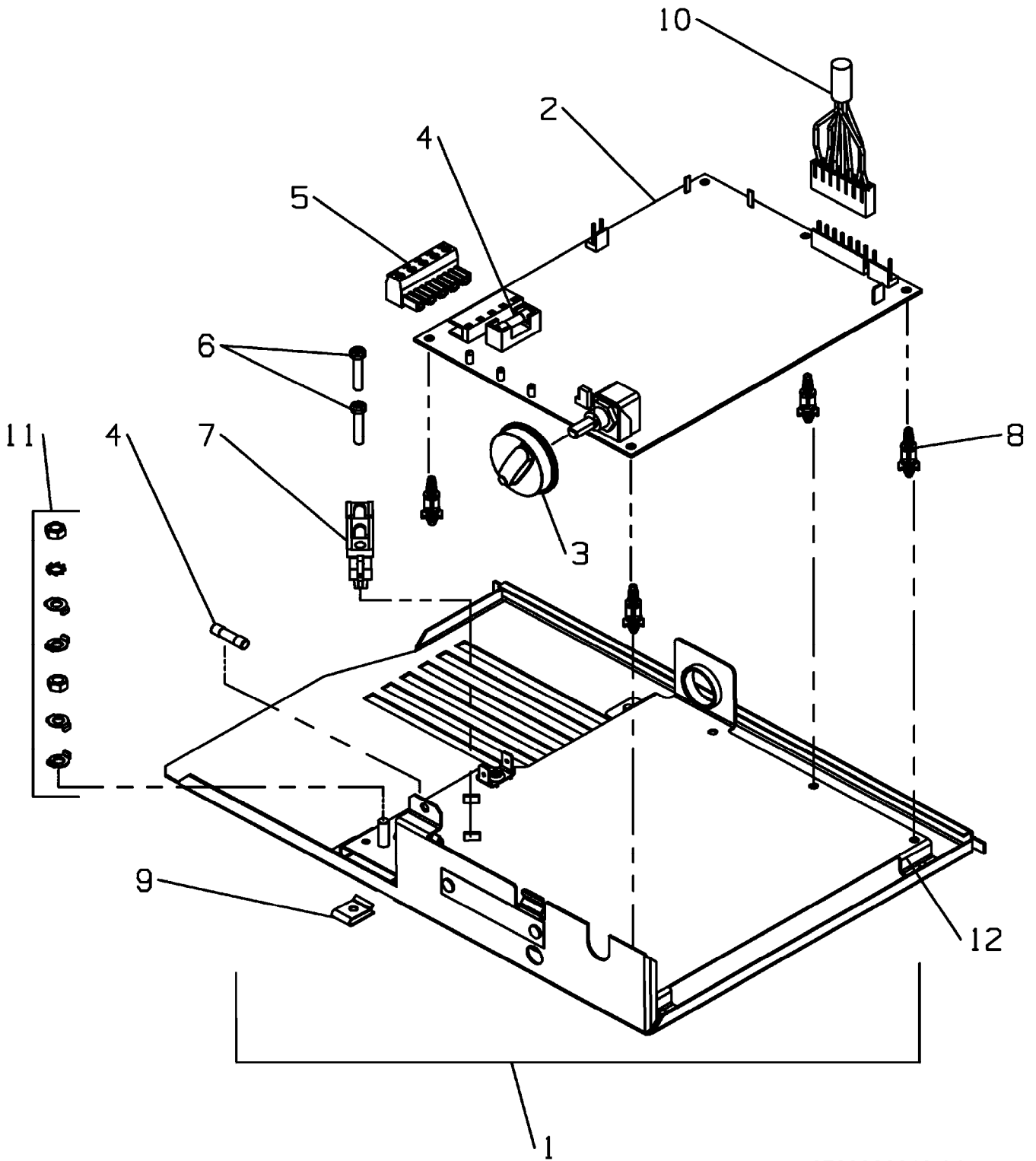
19/24 CBI-FON 19/24 CBI-FOP

3



Pos	description	S-Nr	ordering no.	PG	gas type	19/24 CBI-FON	19/24 CBI-FOP													remarks	
1	Burner assembly lpg		8 716 103 211 0		LPG	■															
1	Burner assembly		8 716 121 767 0		NG	■															
2	Gas valve cbi		8 716 156 769 0		LPG	■															
2	Gas valve cbi		8 716 156 769 0		NG	■															
3	Harness gas valve		8 716 121 786 0		LPG	■															
3	Harness gas valve		8 716 121 786 0		NG	■															
4	Screw m4 x 29 lg zp hex head		2 911 051 134 0		LPG	■															
4	Screw m4 x 29 lg zp hex head		2 911 051 134 0		NG	■															
5	Gas cock - inlet assembly		8 716 156 768 0		LPG	■															
5	Gas cock - inlet assembly		8 716 156 768 0		NG	■															
6	Gas manifold		8 716 154 014 0		LPG	■															
6	Gas manifold		8 716 154 014 0		NG	■															
7	Screw M4x10 lg pozi pan hd m/c		2 912 301 120 0	12	LPG	■															
7	Screw M4x10 lg pozi pan hd m/c		2 912 301 120 0	12	NG	■															
8	Injector burner 2.7mm lpg		8 716 102 411 0		LPG	■															
8	Injector burner 4.3mm		8 716 157 115 0		NG	■															
9	O-Ring 2.62x22.23 id h-nitrile		8 716 140 827 0		LPG	■															
9	O-Ring 2.62x22.23 id h-nitrile		8 716 140 827 0		NG	■															
10	Electrode sence		8 716 105 185 0		LPG	■														AFTER FD290	
10	Electrode sence		8 716 105 185 0		NG	■														AFTER FD290	
10	Electrode sensor		8 716 142 139 0		LPG	■														BEFORE FD290	
10	Electrode sensor		8 716 142 139 0		NG	■														BEFORE FD290	
11	Spark elec lead assy		8 716 121 805 0		LPG	■															
11	Sensor elec lead		8 716 142 137 0		NG	■															
12	Electrode spark		8 716 105 186 0		LPG	■														AFTER FD290	
12	Electrode spark		8 716 105 186 0		NG	■														AFTER FD290	
12	Electrode spark		8 716 142 140 0		LPG	■														BEFORE FD290	
12	Electrode spark		8 716 142 140 0		NG	■														BEFORE FD290	
13	Spark elec lead assy		8 716 121 805 0		NG	■															
13	Sensor elec lead		8 716 142 137 0		LPG	■															
14	Nut m4 extended		8 716 140 102 0		LPG	■															
14	Nut m4 extended		8 716 140 102 0		NG	■															
<b>19/24 CBI-FON 19/24 CBI-FOP</b>			Gas valve / Burner D																		<b>3</b>

Spare parts list



6720900013.AA

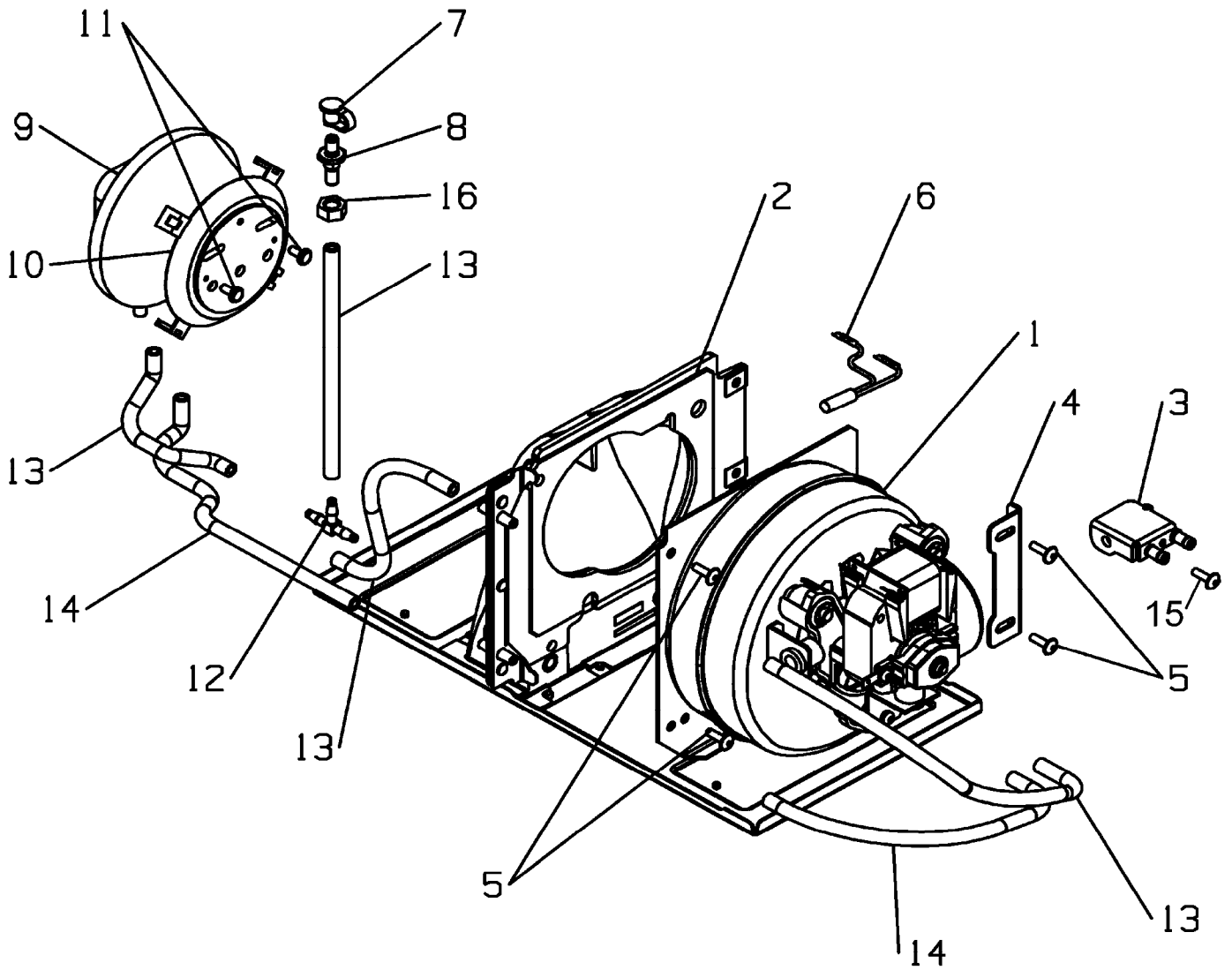
Electrical Box Assembly  
D

19/24 CBI-FON 19/24 CBI-FOP

4

Pos	description	S-Nr	ordering no.	PG	gas type	19/24 CBI-FON	19/24 CBI-FOP														remarks
1	Controls assembly		8 716 121 761 0	52	LPG	■															
1	Controls assembly		8 716 121 761 0	52	NG	■															
2	Control board		8 716 146 332 0		LPG	■															
2	Control board		8 716 146 332 0		NG	■															
3	Control knob		8 716 141 245 0		LPG	■															
3	Control knob		8 716 141 245 0		NG	■															
4	Fuse 4a fast blow 20 x 5mm		8 716 156 008 0		LPG	■															
4	Fuse 4a fast blow 20 x 5mm		8 716 156 008 0		NG	■															
5	Connector plug		8 716 146 278 0		LPG	■															
5	Connector plug		8 716 146 278 0		NG	■															
6	Screw 4mmx20mm long p/p hd z/p		2 914 201 307 0		LPG	■															
6	Screw 4mmx20mm long p/p hd z/p		2 914 201 307 0		NG	■															
7	Cable clamp		8 716 141 252 0		LPG	■															
7	Cable clamp		8 716 141 252 0		NG	■															
8	Pcb support pillar		8 716 102 589 0		LPG	■															
8	Pcb support pillar		8 716 102 589 0		NG	■															
9	Nut Captive No:8		8 716 148 204 0	16	LPG	■															
9	Nut Captive No:8		8 716 148 204 0	16	NG	■															
10	Harness main		8 716 121 784 0		LPG	■															
10	Harness main		8 716 121 784 0		NG	■															
11	Earth connector kit		8 716 101 795 0		LPG	■															
11	Earth connector kit		8 716 101 795 0		NG	■															
<b>19/24 CBI-FON 19/24 CBI-FOP</b>			Electrical Box Assembly D																	<b>4</b>	

Spare parts list



6720900012.AA

Fan / Pressure Switch  
D

19/24 CBI-FON 19/24 CBI-FOP

5

Pos	description	S-Nr	ordering no.	PG	gas type	19/24 CBI-FON	19/24 CBI-FOP														remarks
1	Fan assembly		8 716 146 465 0		LPG	■															
1	Fan assembly		8 716 146 465 0		NG	■															
2	Collector hood assembly		8 716 103 126 0		LPG	■															AFTER FD 285
2	Collector hood assembly		8 716 103 126 0		NG	■															AFTER FD 285
2	Collector hood & fan assembly		8 716 103 155 0		LPG	■															BEFORE FD 285
2	Collector hood & fan assembly		8 716 103 155 0		NG	■															BEFORE FD 285
3	Air flow sensor		8 716 141 000 0	18	LPG	■															
3	Air flow sensor		8 716 141 000 0	18	NG	■															
4	Clamping plate		8 716 102 175 0		LPG	■															
4	Clamping plate		8 716 102 175 0		NG	■															
5	Screw no.8x1/2 f/h type b self tap.		2 912 421 225 0	16	LPG	■															
5	Screw no.8x1/2 f/h type b self tap.		2 912 421 225 0	16	NG	■															
6	Harness fan		8 716 121 785 0		LPG	■															
6	Harness fan		8 716 121 785 0		NG	■															
7	Blanking cap red		8 716 141 211 0		LPG	■															
7	Blanking cap red		8 716 141 211 0		NG	■															
8	Gas sensor connector		8 716 141 227 0		LPG	■															
8	Gas sensor connector		8 716 141 227 0		NG	■															
9	Air pressure switch		8 716 146 163 0		LPG	■															
9	Air pressure switch		8 716 146 163 0		NG	■															
10	Bracket air pressure switch		8 716 141 251 0		LPG	■															
10	Bracket air pressure switch		8 716 141 251 0		NG	■															
11	Screw no4 x 9.5 pan hd pozi type a		2 912 402 005 0		LPG	■															
11	Screw no4 x 9.5 pan hd pozi type a		2 912 402 005 0		NG	■															
12	T piece moulding ref 416teep		8 716 141 205 0	16	LPG	■															
12	T piece moulding ref 416teep		8 716 141 205 0	16	NG	■															
13	beige silicone tubing 5m long		8 716 101 080 0	27	LPG	■															
13	beige silicone tubing 5m long		8 716 101 080 0	27	NG	■															
14	Red silicone tubing 5m long		8 716 101 081 0	27	LPG	■															
14	Red silicone tubing 5m long		8 716 101 081 0	27	NG	■															
15	Screw iso no 6b x 9.5 recessed		2 912 421 210 0	07	LPG	■															
15	Nut m6 full hex z/p m/s		2 915 011 007 0		NG	■															
16	Nut m8 full hex m/s zc pl		2 915 011 009 0	18	LPG	■															
16	Nut m8 full hex m/s zc pl		2 915 011 009 0	18	NG	■															
<b>19/24 CBI-FON 19/24 CBI-FOP</b>			Fan / Pressure Switch D																	<b>5</b>	

**ADDITIONAL SPARE PARTS  
FOR APPLIANCE  
NOT DRAWN**

9099

6720900999.AA

Additional Spare Part  
D

19/24 CBI-FON 19/24 CBI-FOP

**9**

Pos	description	S-Nr	ordering no.	PG	gas type	19/24 CBI-FON	19/24 CBI-FOP														remarks
	Conversion kit lpg to ng 19/24 cbi		7 716 192 271 0		LPG	■															
	Conversion kit lpg to ng 19/24 cbi		7 716 192 271 0		NG	■															
	CONVERSION KIT NAT GAS TO LPG 19/24 CB		7 716 192 272		LPG	■															
	CONVERSION KIT NAT GAS TO LPG 19/24 CB		7 716 192 272		NG	■															
	Insulation kit 24CBI		8 716 101 796 0		LPG	■															
	Insulation kit 24CBI		8 716 101 796 0		NG	■															
	Gas section sealing kit		8 716 101 798 0		LPG	■															
	Gas section sealing kit		8 716 101 798 0		NG	■															
	Service kit 15/24cbi		8 716 101 799 0		LPG	■															
	Service kit 15/24cbi		8 716 101 799 0		NG	■															
	Facia panel		8 716 103 184 0		LPG	■															
	Facia panel		8 716 103 184 0		NG	■															
	Hardware - literature pack		8 716 103 187 0		LPG	■															
	Hardware - literature pack		8 716 103 187 0		NG	■															
	CBI series user manual		8 716 103 191 0		LPG	■															
	CBI series user manual		8 716 103 191 0		NG	■															
	CBI series serv & inst manual		8 716 103 192 0		LPG	■															
	CBI series serv & inst manual		8 716 103 192 0		NG	■															
	Restrictor plate kit		8 716 103 195 0		LPG	■															
	Restrictor plate kit		8 716 103 195 0		NG	■															
<b>19/24 CBI-FON 19/24 CBI-FOP</b>			Additional Spare Part D																	<b>9</b>	

**List of translations**

Pos			
1			
2			
3			
4			
5			
6			
7			
8			
9			
10			
11			
12			
13			
14			
15			
16			
17			
18			
<b>2</b>			
1			
2			
3			
4			
5			
6			
7			
8			
9			
10			
11			
12			
13			
14			
15			
16			
17			
18			
19			
20			
<b>3</b>			
1			
2			
3			
4			
5			
6			
7			
8			
9			
10			
11			
12			
13			
14			
<b>4</b>			
1			
Pos			













